

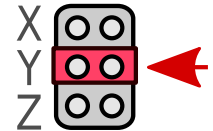
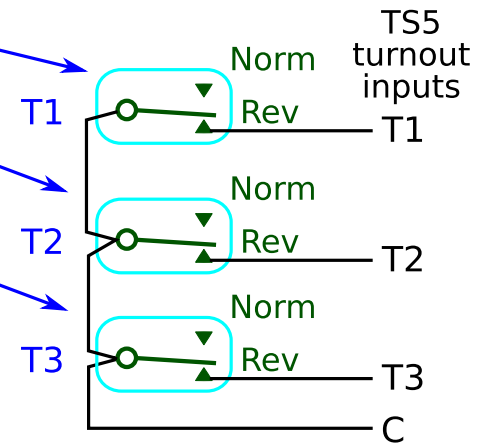
This electrical contact is linked to turnout T1.

This electrical contact is linked to turnout T2.

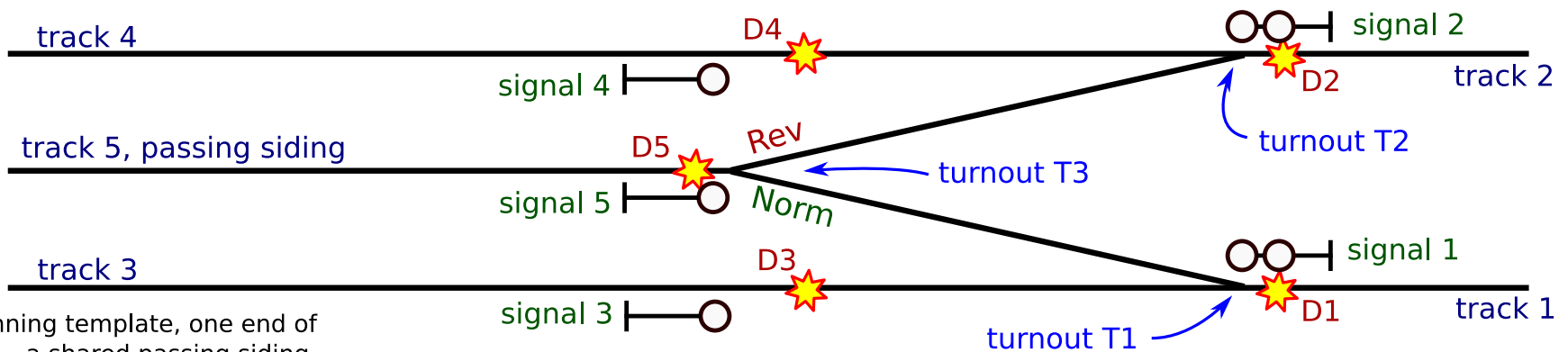
This electrical contact is linked to turnout T3. The Normal position of T3 is toward track 1, Reverse is toward track 2.

These contacts should close, connecting their T terminal to C, when their turnout is in the diverging (Reverse) position.

They should open when their turnout is in the Normal position.



TS5 track config jumper placed across both Y pins



Planning template, one end of a shared passing siding.
Azatrax, (c) 2019